



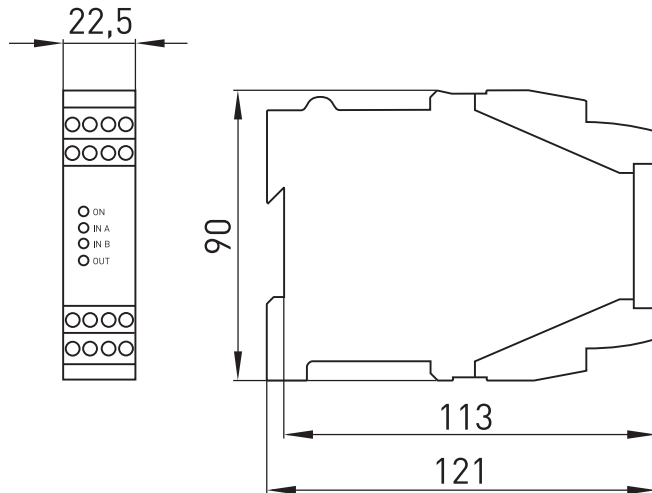
Sensores de segurança Ex // SRM 21 RT2

Features/Options

- Enclosure width: 22.5 mm
- 2 NC or 1 NC/1 NO contact can be connected
- Feedback circuit
- 2 enabling paths

- 1 transistor output
- Manual or automatic reset
- LED indicator for switching condition
- Crossed wire monitoring

Desenho com dimensões



Technical data

Standards	IEC/EN 60204-1, IEC/EN 60947-5-1, IEC/EN 60947-5-3/PDF-M, EN 954-1, BG-GS-ET 20 GS-ET 14
Enclosure	black polycarbonate; polyamide terminal clamps, top hat section rail mounting to EN 50022
Connection	screw terminals with + and - screws
Cable section	1x 2.5 mm ² /2x 1.5 mm ² strand including conductor ferrules, 1x 4 mm ² / 2x 2.5 mm ² massive
Degree of protection	Enclosure IP 40, Terminal block IP 20 to IEC/EN 60529, shock protection to VBG 4
Safety-relevant data:	
EN 954-1	Category 4
EN ISO 13849-1	PL e
MTTF _d	39.5 years
DIN EN 62061	SIL CL 3
PFH _D	≥ 3 x 10 ⁻⁸
T _M	max. 20 years
I _e /U _e power supply Inputs	0.1 A/24 VDC ±15 % 1 NC/1 NO contact or 2 NC contacts
Outputs	1 feedback input, 1 reset input enabling paths: positive-guided contacts, 1 transistor output as signalling contact
Utilisation category	AC-15; DC-13
I _e /U _e enabling paths	3 A/230 VAC; 2 A/24 VDC
Max. output current transistor output I _a	20 mA
Max. fuse rating U _e	2 A gL/gG D-fuse
Max. fuse rating enabling paths	6 A gL/gG D-fuse
Classification	stop category 0
Dropout delay	< 20 ms
Risk time	< 200 ms
Mechanical life	> 50 million operations
LED indications	4: operation, authorisation, inputs A and B
Degree of pollution	3 to DIN VDE 0110
Overvoltage category	III
Ambient temperature	0 °C ... +55 °C
Approvals	



Sensores de segurança Ex // SRM 21 RT2



Ressalvadas erratas e alterações técnicas.

Dados para Encomenda

SRM 21 RT2

Tipo
Safety relay module SRM 21 RT2

Nr. da
Encomenda
90560049

